

INSTRUCTION GUIDE / FEUILLE D'INSTRUCTIONS

Please read and understand this entire manual before attempting to assemble, operate or install the product.

WARNINGS & CAUTIONS: Risk of fire or electric shock. Turn power off before inspection, installation, or removal. Indoor installation only. Use only on 120 volt circuits. Before installation, thoroughly review enclosed installation manual. This product must be installed in accordance with the applicable installation code by a person familiar with the construction and operation of the product and the hazards involved. If you do not have sufficient electrical wiring experience, please consult a qualified electrician. All work should be done by a qualified electrician. Do not make or alter any open holes in an enclosure of wiring or electrical components during installation. To prevent wiring damage or abrasion, do not expose wiring to edges of sheet metal or other sharp objects. Not for emergency lighting. Type IC - Inherently Protected. Operating temperature -20°C – 40°C (-4°F – 104°F). Suitable for wet locations.



AVERTISSEMENT – Risque d'incendie ou de choc électrique. Ce produit doit être installé selon le code d'installation pertinent, par une personne qui connaît bien le produit et son fonctionnement ainsi que les risques inhérents. Convient aux emplacements mouillés. Peut être utilisé à une température ambiante n'excédant pas 40°C. Type IC - Protection Inhérente. Cet appareil n'est pas destiné à être utilisé dans les issues de secours.

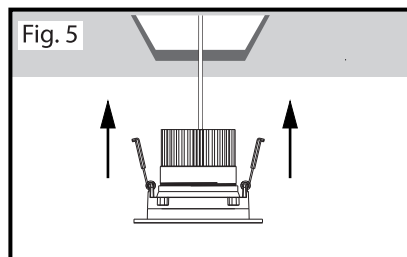
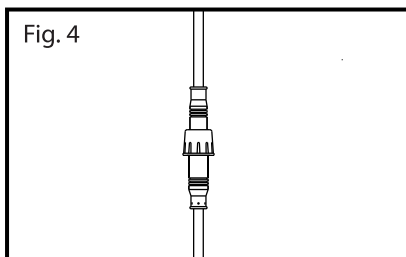
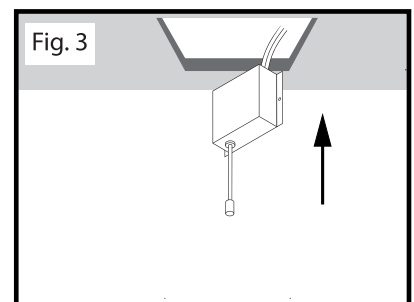
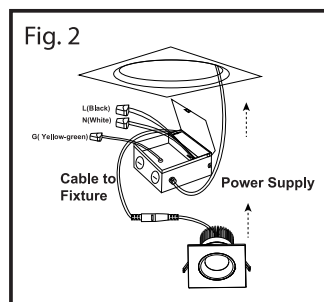
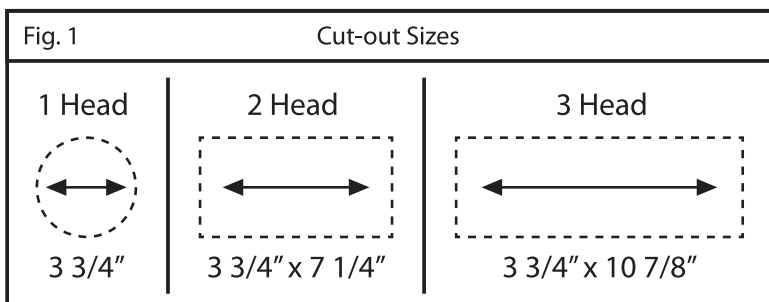
Retain these instructions for future reference.

Installation

1. Cutout appropriate size hole in ceiling (Fig. 1)
2. Pull supply wires through hole
3. Open the hardwire box swing cover and remove the appropriate knockout(s).
4. Insert the electrical supply cable through the knockout and secure with a cable connector (sold separately).
5. Using wire nuts, connect black (live) wire of cable to black wire of box, white (neutral) wire of cable to white wire of box, green (ground) wire of cable to green wire on box. (Fig. 2)
6. Place all wiring and connections back into the box. Select desired CCT prior to closing the cover.
7. Insert hardwire box through the mounting hole. (Fig. 3)

New construction applications: Hardwire box shall be firmly secured to studs, joists, or similar fixed structural units.

8. Connect the fixture to the hardwire box by inserting and twisting the male/female connectors. (Fig. 4)
2. Push spring loaded clips on the fixture upwards and insert fixture base into the mounting hole. Release the clips and fixture will be pulled flush to the ceiling. (Fig. 5)
3. Once assembly is complete, turn power on to confirm fixture is working properly.



VO 3.5寸combo说明书
A4纸 单面印刷 折页
料号: A605-0213736-01

Compatible Dimmers

BRAND	MODEL
COOPER	SI06P
LEVITON	6621, 6672, IPL06-10Z
LUTRON	PD-6WCL, DVCL-153P, SFTU-5A3P, DMD-LE3-D, CTCL-153P, DV-600P

